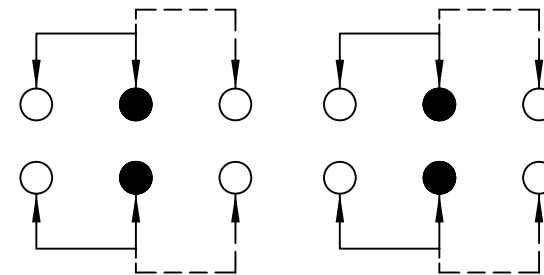
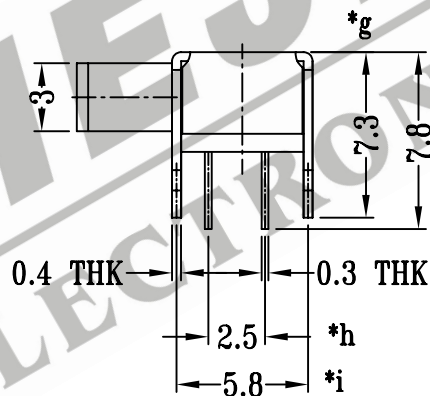
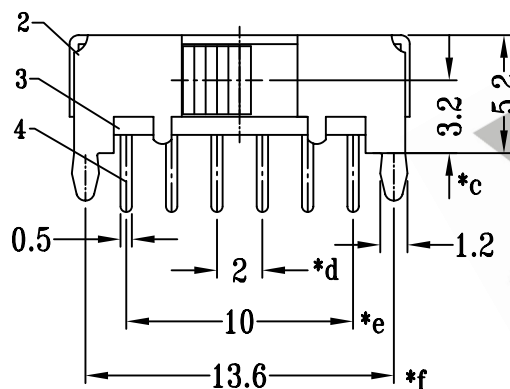
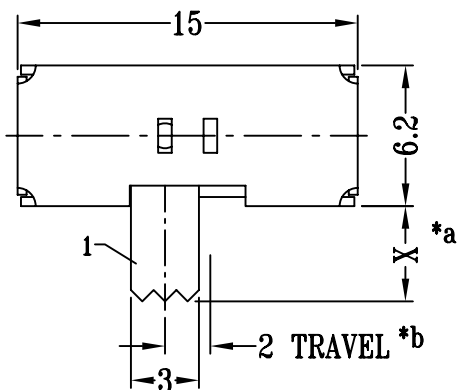
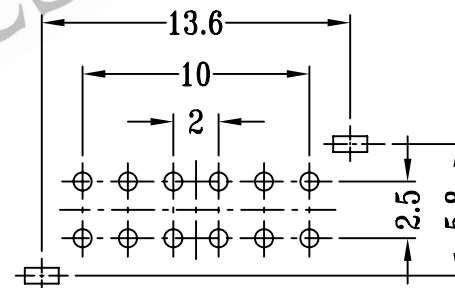


CAD FILE:



SCHEMATIC (SHORTING)



P.C.B LAYOUT

注: “*”表示关键尺寸 (9个)

8					TOLERANCE	SHENZHEN XIEJIA ELECTRONICS CO.,LTD.				
7					UNLESS SPECIFIED					
6	SPRING PLATE	STAINLESS STEEL	1	NATURAL	WITHIN: 1.5±0.1mm	ISSUE	DATE	DESCRIPTIONS OF REVISION		APPD.
5	CONTACT CLIP	PBS	4	Ag CLAD	OVER: 1.5±0.2mm					
4	TERMINAL	BRASS STRIP	12	Ag PLATED OVER Ni PLATED	TITLE : HORIZONTAL SLIDE SWITCH	UNIT : mm		DRWG NO.: XJ-DR-SK42D05-00		
3	BASE	PHENOLIC RESIN	1	NATURAL	MODEL: SK-42D05	SCALE: 3:1		DWN.	ZHOUYU	2004-11-6
2	FRAME	STEEL STRIP	1	Ni PLATED				CHK'D	FANGYING	2004-11-6
1	KNOB	POM	1	BLACK	ALL MATERIALS MUST BE COMPLIANT TO ROHS			APPD.	KANGXINAN	2004-11-6
NO.	PARTS	MATERIALS	Q'TY	FINISH						